

Model IDS610

SDS LOAD CELL

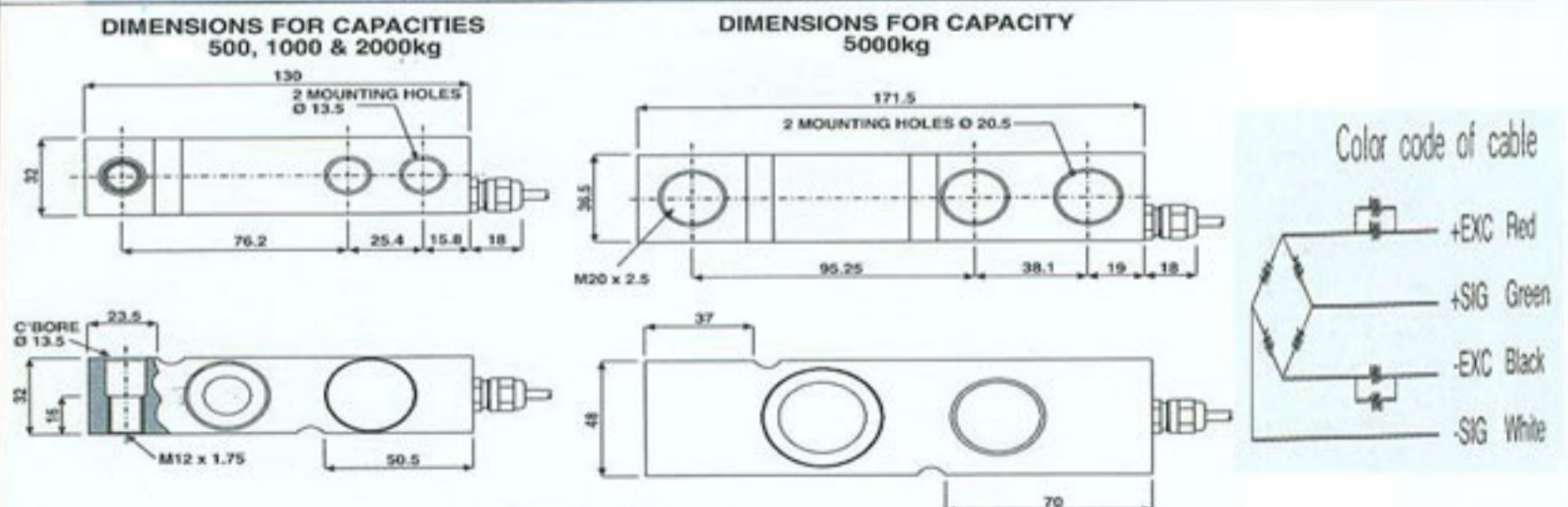


Specification

Capacity	t	0.25/0.5/1/2/2.5/3/5
Accuracy class		C3
Combined error	(%FS)	$\leq \pm 0.020$
Creep	(%FS/30min)	$\leq \pm 0.016$
Temperature effect on sensitivity	(%FS/10°C)	$\leq \pm 0.011$
Temperature effect on zero	(%FS/10°C)	$\leq \pm 0.015$
Output sensitivity	(mv/v)	2.0 ± 0.002
Input resistance	(Ω)	380 ± 10
Output resistance	(Ω)	350 ± 3
Insulation resistance	(M Ω)	$\geq 5000(100VDC)$
Zero balance	(%FS)	1.0
Temperature, compensated	(°C)	-10 ~ +40
Temperature, allowed	(°C)	-35 ~ +65
Excitation, Recommended	(V)	5 - 12(DC)
Excitation, Max	(V)	18(DC)
Safe overload	(%FS)	120
Ultimate overload	(%FS)	150

All specifications listed subject to change without notice.

OUTLINE DIMENSIONS in millimeters



Standard end loading shown.

Options include:

'Through-hole' - plain or threaded.
 'T-End' - supplied current and voltage matched for platforms.
 Imperial capacities can be manufactured with M12 or 1/2"-20 UNC threading